

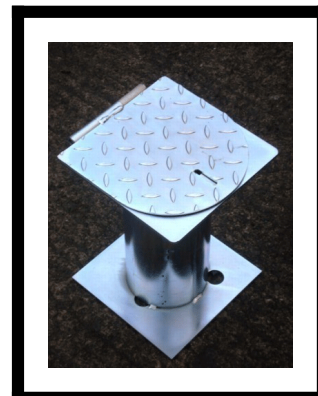
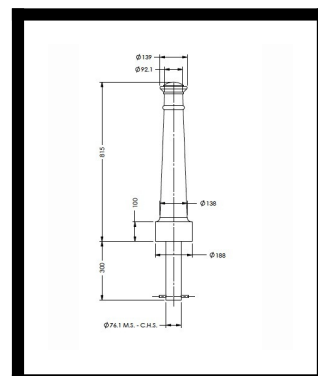
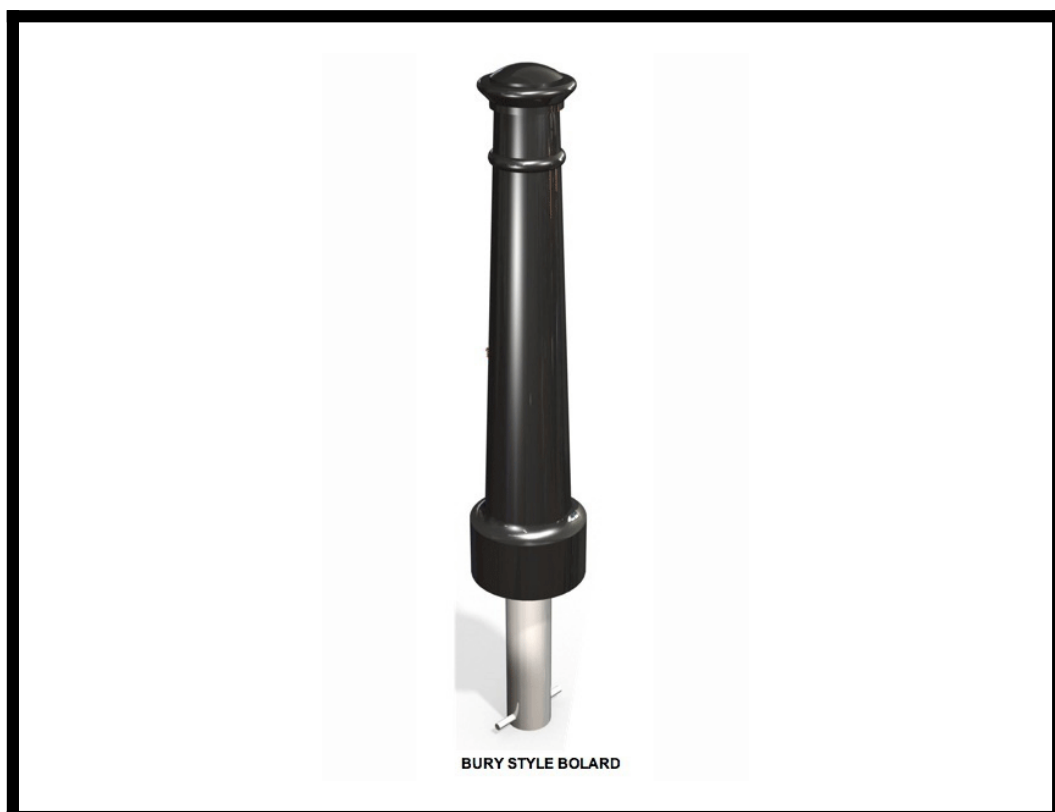


Bury Style Bollard

€408.62

Excl. VAT: €340.52

Product Images



Description

The Bury Style bollards are manufactured from engineering-grade polymer – Ultrathane cast onto a central steel core with 300mm root and anchoring bar. A highly versatile material in a cast iron finish, Ultrathane can be used to create or preserve a more traditional look without compromising on security and avoiding any rusting over time. The bollards are available with a galvanised ground socket for removable bollards.

The durability of Urethane makes it a preferred material in the specification of street furniture. It will not rust or corrode and is resistant to many chemicals, including saline and uric acid. It is also chip and highly abrasion-resistant. This gives Ultrathane products a longer, maintenance-free life span and helps to reduce ongoing costs.

Applications include walkways, car parks, shopping centres, town centres, warehouses, quaysides, demarcation and anywhere with a requirement to prohibit or restrict the use of vehicles within a given area for the safety of pedestrians and property.

Options:

The Bury polyurethane bollard can be ordered with or without a ground socket.

Specification:

- Material: Ultrathane
- Bollard colour: Asda Grey
- Weight: 17kg
- Available as a [removable bollard](#)

Size:

Height above ground 815mm x 98-140mm diameter

Root: 300mm

Root size: 76mm

Delivery Time:

10 - 15 working days

Additional Options

Socket Options	No Ground Socket	€0.00
	Ground Socket	€197.80

